

1. GENERAL DESCRIPTION

2662 V2.0-C is a multi-purpose LCD monitor. It is designed to support dual/single LVDS LCD panel.

The main feature of 2662V2.0-C can support DVI, VGA, HDMI(double) and have four channels of audio and multi-purpose video interface such as AV(double),S-VIDEO,YPbPr.

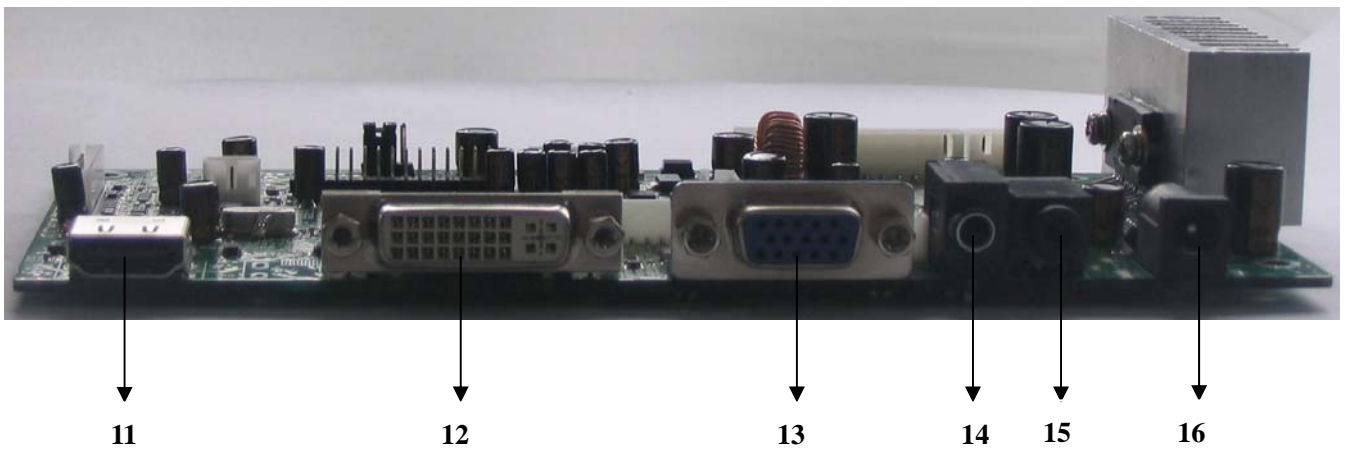
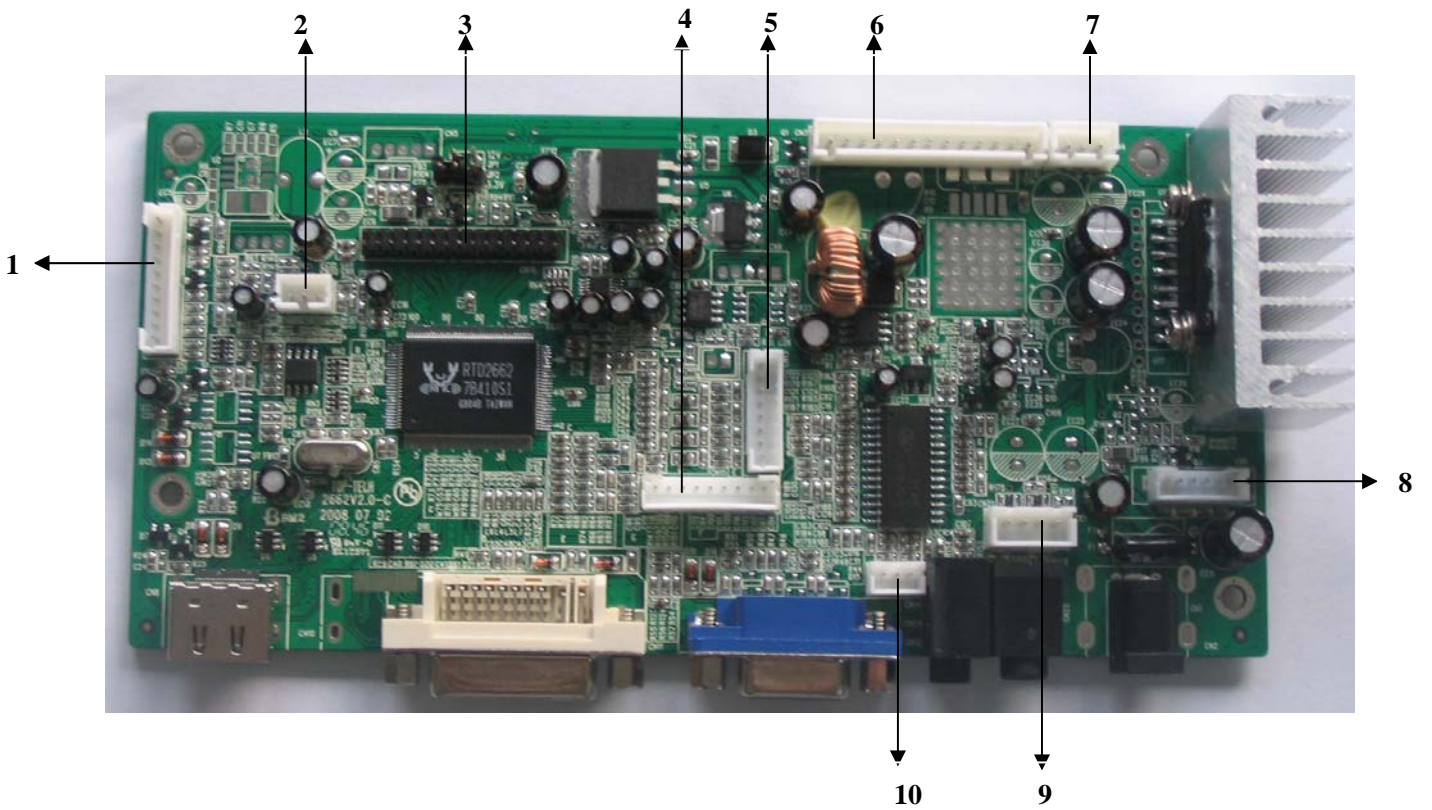
2 FEATURES

Below you will find the detailed feature

	CVBS	1.0Vp-p +/-5%		
	S-Video	S-Y:1.0V Vp-p +/-5% S-C:0.3Vp-p +/-5%		
	YPbPr/YCbCr	480i、480p、576i、576p、720p、1080i,1080p		
	PC-RGB	Format	Up to 1920*1440@60HZ	
		Color	16bit, 24bit, 32bit	
	HDMI	480i、480p、576i、576p、720p、1080i,1080p		
	DVI	DOS、VGA、SVGA、XGA、SXGA、WUXGA		
Expansion function	I2C interface	Support connector other equipment		
	Inbuilt DVD	Support inbuilt DVD		
Audio input	S-Video/CVBS and YUV	Left and right audio input		
	PC-RGB	Pc:Earphone input		
Power	Power Requirement	12V(24V OPTIONAL) AND INBUILT POWER		
	To panel	3.3V,5V,12V		
	Manage	Low power consumable mode: standby<3w		
OSD Language	English,(French ,Spanish , Italian, German, Portuguese, Dutch, Korean)(Option)			
Key Functions	CH-,CH+,MENU,VOL-,VOL+,PC/AV,ON/OFF (Control by remote control)			
Audio Output	2*4w (8 Ω)			
Comb Filter	2D	De-interlace	2D	
Weak signal enhancement	/			
Nosier reduction	2D			

3 FUNCTION LAYOUT

PICTURE OF LCD CONTROLLER



(The color of actual item may vary and the image is only for information)

INTERFACE FUNCTION DESCRIPTION

NO	DESCRIPTION	NO	DESCRIPTION
1 (CN17)	KEY BOARD	11	HDMI

2 (CN20)	REMOTE RECEIVER INTERFACE	12	DVI
3 (CN18)	LVDS PANEL INTERFACE	13	VGA
4 (CN15)	YPBPR	14	PC AUDIO IN
5 (CN13)	AV/YC SIGNAL	15	PC AUDIO OUT
6 (CN3)	MAIN POWER SUPPLY INTERFACE	16	DC 12V IN
7 (CN4)	DC 24V In		
8(CN7)	INVERTER INTERFACE		
9(CN21)	SPEAKER		
10(CN14)	AV AUDIO		

INTERFACE DEFINITION

Below ,please see the symbol and description from left to right pin

CN17(10PIN/2.0)KEY BOARD

NO	SYMBOL	DESCRIPTION
1	CH-/NC	CH- Key /NC
2	SELECT/CH+	CH+ Key
3	MENU	MENU Key
4	SOURCE	INPUT SOURCE SWITCH
5	LEFT/VOL-	VOL- Key
6	RIGHT/VOL+	VOL+ Key
7	GND	Ground
8	LED_ GREEN	Green Indicator
9	LED_ RED	Red Indicator
10	ON/OFF	ON/OFF Key

CN20 (3PIN/2.0) REMOTE RECEIVER INTERFACE

NO	SYMBOL	DESCRIPTION
1	IR	Remote receiver
2	GND	Ground
3	IR-VCC	+5V DC power supply

CN18(2*15PIN/2.0)LVDS PANEL INTERFACE

NO	SYMBOL	DESCRIPTION
1	LCDPWR	Power for panel
2	LCDPWR	Power for panel
3	LCDPWR	Power for panel
4	GND	Ground
5	EDIDPWR	NORMAL NOT CONNECTE
6	GND	Ground
7	ATX0-	LVDS 0DD 0- Signal
8	ATX0+	LVDS 0DD 0+ Signal
9	ATX1-	LVDS 0DD 1- Signal
10	ATX1+	LVDS 0DD 1+ Signal

11	ATX2-	LVDS ODD 2- Signal
12	ATX2+	LVDS ODD 2-+ Signal
13	GND	Ground
14	GND	Ground
15	ATCK-	LVDS ODD Clock- Signal
16	ATCK+	LVDS ODD Clock+ Signal
17	ATX3-	LVDS ODD 3- Signal
18	ATX3+	LVDS ODD 3+ Signal
19	BTX0-	LVDS EVEN 0- Signal
20	BTX0+	LVDS EVEN 0+ Signal
21	BTX1-	LVDS EVEN 1- Signal
22	BTX1+	LVDS EVEN 1+ Signal
23	BTX2-	LVDS EVEN 2- Signal
24	BTX2+	LVDS EVEN 2+ Signal
25	GND	Ground
26	GND	Ground
27	BTCK-	LVDS EVEN Clock- Signal
28	BTCK+	LVDS EVEN Clock+ Signal
29	BTX3-	LVDS EVEN 3- Signal
30	BTX3+	LVDS EVEN 3+ Signal

CN15(9PIN/2.0) YPBPR

NO	SYMBOL	DESCRIPTION
1	Y	Y signal
2	GND	Ground
3	PB	PB signal
4	GND	Ground
5	PR	PR signal
6	GND	Ground
7	HD_AUD_R	HD audio right
8	GND	Ground
9	HD_AUD_L	HD audio left

CN13(8PIN/2.0) AV/YC SIGNAL

NO	SYMBOL	DESCRIPTION
1	S_C	C signal
2	GND	Ground
3	S_Y	Y signal
4	GND	Ground
5	AV1	AV 1
6	GND	Ground
7	AV2	AV 2
8	GND	Ground

CN14(3PIN/2.0) AV AUDIO

NO	SYMBOL	DESCRIPTION
1	AUDIO_L	Analog Audio Left
2	GND	Ground
3	AUDIO_R	Analog Audio Right

CN3(13PIN/2.54) MAIN POWER SUPPLY INTERFACE

NO	SYMBOL	DESCRIPTION
1	12V	12V Power supply
2	12V	12V Power supply
3	GND	Ground
4	GND	Ground
5	GND	Ground
6	5V_IN	5V DC Power supply
7	5V_IN	5V DC Power supply
8	5VS_IN	Power standby
9	STB_ON/OFF	Power switch control
10	5V_IN	5V DC IN Power supply
11	5V_IN	5V DC IN Power supply
12	GND	Ground
13	GND	Ground

CN21(4PIN/2.0) SPEAKER

NO	SYMBOL	DESCRIPTION
1	SPK_R+	Positive Right audio channel out
2	SPK_R-	Negative Right audio channel out
3	SPK_L-	Negative Left audio channel out
4	SPK_L+	Positive Left audio channel out

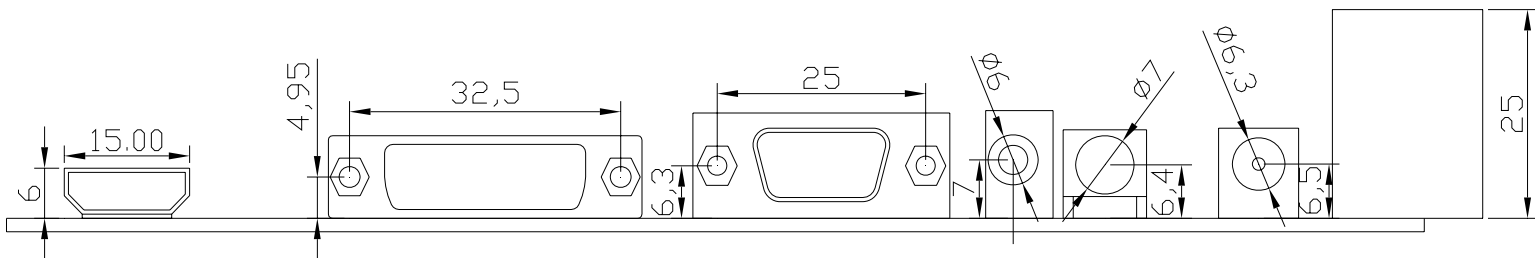
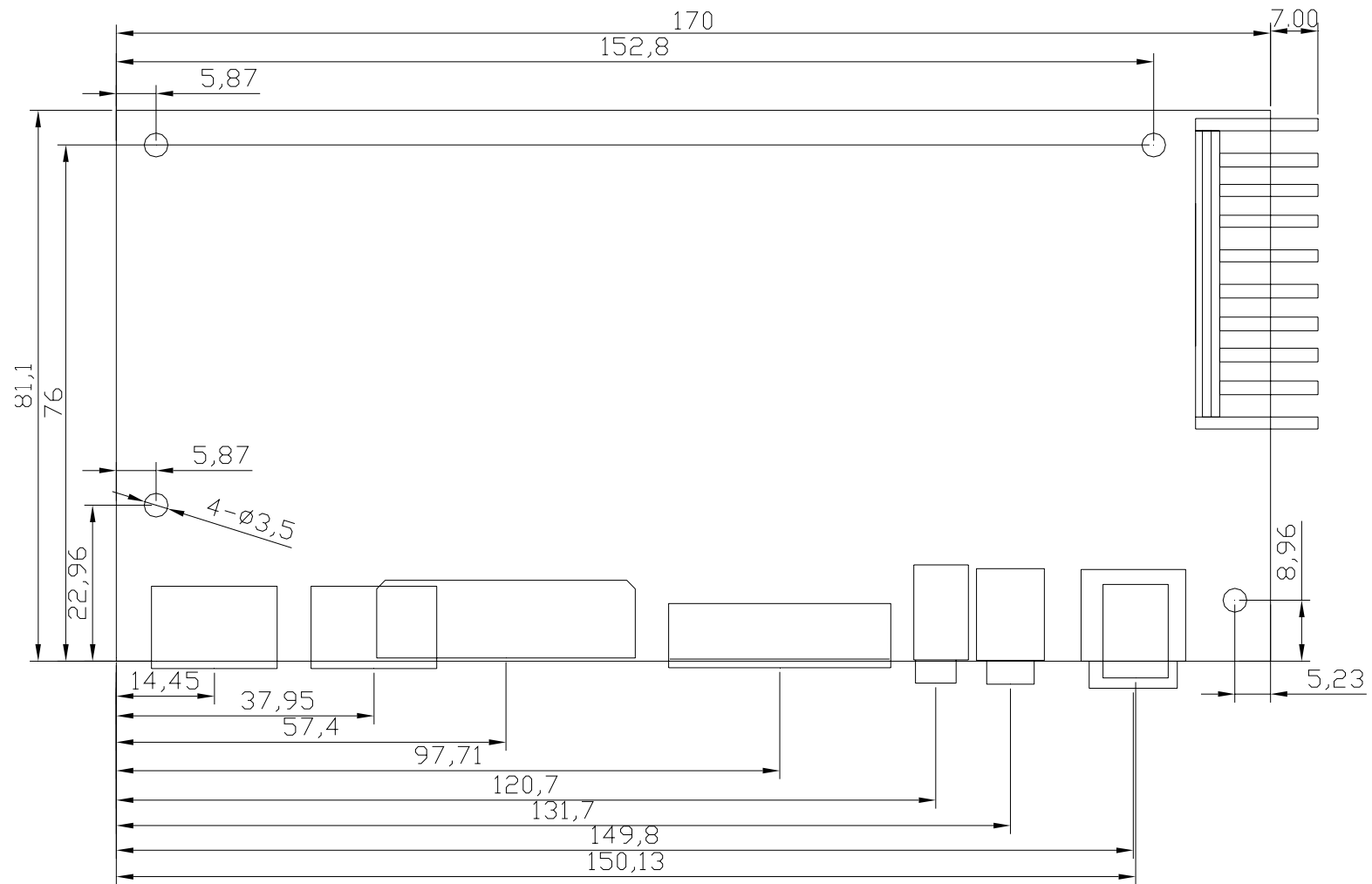
CN4(3PIN/2.54) DC 24V In

NO	SYMBOL	DESCRIPTION
1	GND	Ground
2	24V	24V Power supply
3	24V	24V Power supply

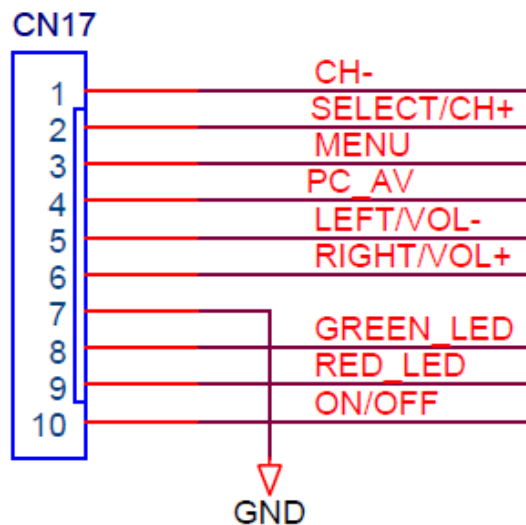
CN7 (6PIN/2.0) INVERTER INTERFACE

NO	SYMBOL	DESCRIPTION
1	GND	Ground
2	GND	Ground
3	BKLT-ADJ	Brightness adjustment
4	BKLT ON/OFF	Black-light ON/OFF control
5	12V/24V	+24V (12V OPTIONL) DC Power supply
6	12V/24V	+24V (12V OPTIONL) DC Power supply

4.CONTROLLER DIMENSION

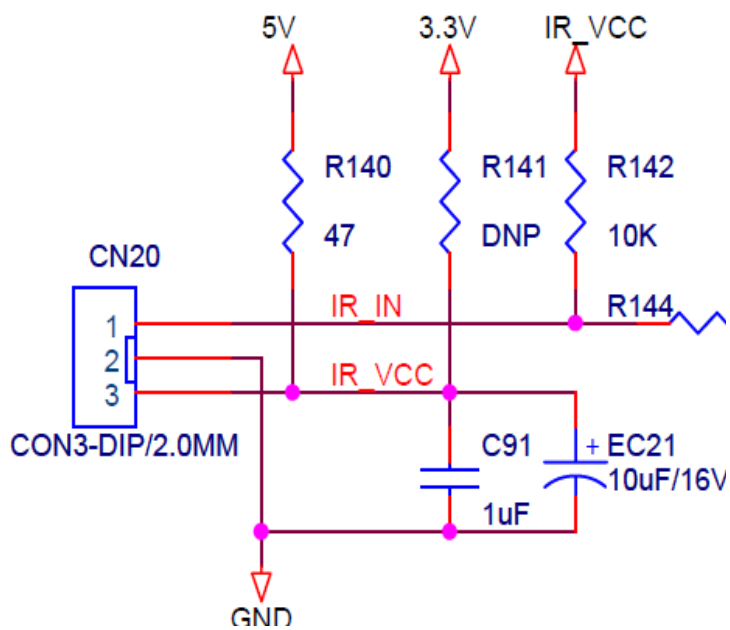


5.KEY BOARD SYSTEM SCHEMATIC



CON10-DIP/2.0MM

6.IR BOARD SYSTEM SCHEMATIC



7.OPERTION REQUIREMENT

Do not pressed and distorted.

Keep away from static and water.

Relative humidity : $\leq 80\%$

Storage temperature:-10~+60°C

Operation temperature:0~+40°C